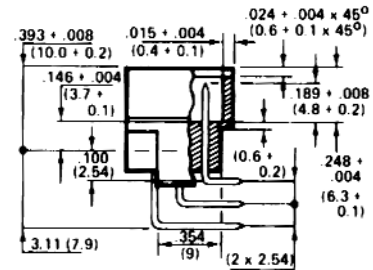
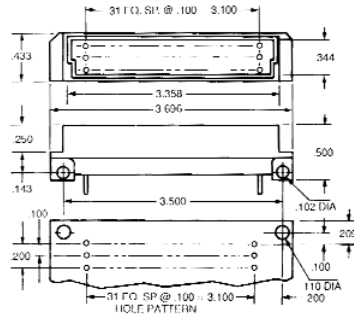
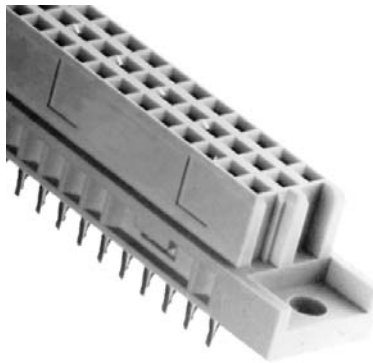


Style 5



RE96FABG



ABG Type

For automatic daisy chaining of VME and VXI backplanes. Eliminates the need for manual jumpering. Pin entry acts like a switch which is activated and closed during insertion. No other moving parts required. Same MTBF as other types. Requires special EPT installation tooling.

Standard VME Bus Signals	Switched Pins
IACK IN - IACK OUT	a 21-22
BG 0 IN - BG 0 OUT	b 4-5
BG 1 IN - BG 0 OUT	b 6-7
BG 2 IN - BG 2 OUT	b 8-9
BG 3 IN - BG 3 OUT	b 10-11

Specifications for 96 Pin Connector

<b>Insulator:</b>	Glass-Filled PBT UL-94V-0
<b>Contact Material:</b>	Phosphor bronze
<b>Current Rating:</b>	2 AMPS
<b>Dielectric Withstanding Voltage:</b>	AC 1000V for 1 minute
<b>Insulator Resistance:</b>	1000M Ohms min. @ 500 VDC
<b>Contact Resistance:</b>	30 m Ohms max. @ 100mA DC
<b>Operating Temperature:</b>	-55° C - +105° C

Ordering Information

Part No.	Style #	M/F	Contact Length	Type
RE96FSR	1	F	0.087"	Solder Tail, Right Angle
RE96MSD	3	M	0.157"	Solder Tail
RE96MSR-062	1	M	0.087"	Solder Tail, Right Angle
RE96MSR-125	1	M	0.174"	Solder Tail, Right Angle
RE96FW	2	F	0.54"	Wire-Wrap
RE96FWR	2	F	0.2"	Wire-Wrap, Right Angle
RE96MW	2	M	0.54"	Wire-Wrap
RE96FABG	n/a	F		Auto Bus Grant
RE96FSD	3	F	0.157"	Solder Tail
RE96FSP	4	F	0.208"	Pressfit Solder Tail
RE96FWP	4	F	0.366"	Pressfit Wire-Wrap
RE96MWR	5	M	0.455"	Wire-Wrap, Right Angle
79900004	n/a	n/a	n/a	Shroud, thin wall, thick wall

Accessories